

# Intelligent Systems: Reasoning and Recognition

James L. Crowley

ENSIMAG 2 / MoSIG M1

Second Semester 2013/2014

Lesson 16

16 april 2014

## EM and Gaussian Mixture Models

Notation .....	2
Bayesian Classification....	<b>Error! Bookmark not defined.</b>
Probability Density Functions .....	3
Gaussian Mixture Models .....	4
Gaussian Mixtures as sum of Independent Sources .....	4
Expectation Maximisation Algorithm .....	6
Convergence Criteria .....	9
Likelihood .....	10
MLE for a Univariate Gaussian Density functions .....	11
Maximum Likelihood for a Multivariate Density Function .....	13

Source:

"Pattern Recognition and Machine Learning", C. M. Bishop, Springer Verlag, 2006.

**Notation**

$x$	a variable
$X$	a random variable (unpredictable value)
$N$	The number of possible values for $X$ (Can be infinite).
$\vec{x}$	A vector of $D$ variables.
$\vec{X}$	A vector of $D$ random variables.
$D$	The number of dimensions for the vector $\vec{x}$ or $\vec{X}$
$E$	An observation. An event.
$C_k$	The class $k$ .
$\Sigma_k$	The covariance for class $k$ .
$k$	Class index
$K$	Total number of classes
$\omega_k$	The statement (assertion) that $E \in C_k$
$P(\omega_k) = P(E \in C_k)$	Probability that the observation $E$ is a member of the class $k$ . Note that $p(\omega_k)$ is lower case.
$M_k$	Number of examples for the class $k$ . (think $M = \text{Mass}$ )
$M$	Total number of examples. $M = \sum_{k=1}^K M_k$
$\{X_m^k\}$	A set of $M_k$ examples for the class $k$ . $\{X_m\} = \bigcup_{k=1, K} \{X_m^k\}$
$p(X)$	Probability density function for $X$
$p(\vec{X})$	Probability density function for $\vec{X}$
$p(\vec{X}   \omega_k)$	Probability density for $\vec{X}$ the class $k$ . $\omega_k = E \in T_k$ .

## Multivariate Normal Density Function

The "Central Limit Theorem" tells us that whenever the features an observation are the result of a sequence of N independent random events, the probability density of the features will tend toward a Normal or Gaussian density.

$$p(\vec{X}) = \mathcal{N}(\vec{X}; \vec{\mu}, \Sigma) = \frac{1}{(2\pi)^{\frac{D}{2}} \det(\Sigma)^{\frac{1}{2}}} e^{-\frac{1}{2}(\vec{X}-\vec{\mu})^T \Sigma^{-1}(\vec{X}-\vec{\mu})}$$

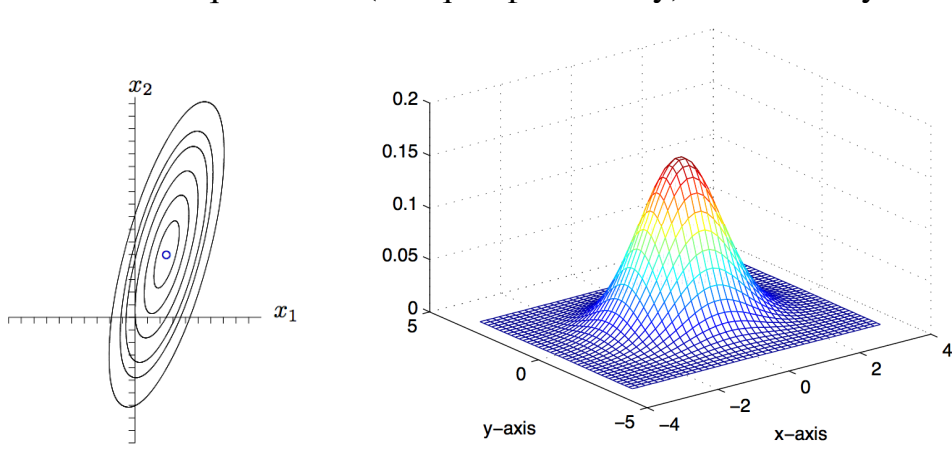
Where the parameters  $\vec{\mu}$ ,  $\Sigma$  and the mean and co-variance of the density. These are the first and second moments of the density.

Note that we use upper case for probabilities and lower case for functions. Thus  $P(\omega)$  is a value,  $p(X)$  is a function.

The mean is  $\vec{\mu} = E\{\vec{X}\} = \begin{pmatrix} E\{X_1\} \\ E\{X_2\} \\ \dots \\ E\{X_D\} \end{pmatrix} = \begin{pmatrix} \mu_1 \\ \mu_2 \\ \dots \\ \mu_D \end{pmatrix}$

and the Covariance is  $\Sigma = E\{(\vec{X} - E\{\vec{X}\})(\vec{X} - E\{\vec{X}\})^T\} = \begin{pmatrix} \sigma_{11}^2 & \sigma_{12}^2 & \dots & \sigma_{1D}^2 \\ \sigma_{21}^2 & \sigma_{22}^2 & \dots & \sigma_{2D}^2 \\ \dots & \dots & \dots & \dots \\ \sigma_{D1}^2 & \sigma_{D2}^2 & \dots & \sigma_{DD}^2 \end{pmatrix}$

The Normal density can be seen as a set of coencentric ellipses. Each ellipse represents a contour of equal value (or equal probability) for a density function.

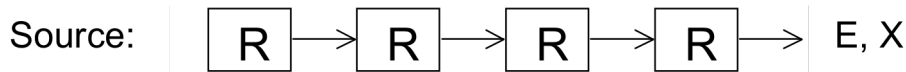


Ellipses for 99%, 95%, 90%, 75%, 50%, and 20%

## Gaussian Mixture Models

### Gaussian Mixtures as sum of Independent Sources

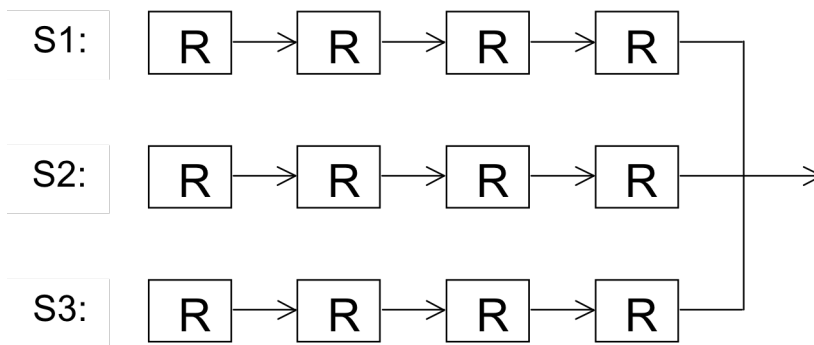
We can consider a sequence of random trials as a "source" of event



The central limit theorem tells us that in this case, the resulting probability can be described by Normal density function:

$$p(\vec{X}) = \mathcal{N}(\vec{X}; \vec{\mu}, \Sigma)$$

Sometimes a population will result from a set of N sources.



In this case, the probability density is better represented as a weighted sum of normal densities.

$$p(\vec{X}) = \sum_{n=1}^N \alpha_n \mathcal{N}(\vec{X}; \vec{\mu}_n, \Sigma_n)$$

Each normal density results from a different source. We can see the coefficients  $\{\alpha_n\}$  as the relative frequencies (probabilities) for a set of independent "sources" for the event. The  $\alpha_n$  coefficients represent the relative probability that event came from source "n".

$$\alpha_n = P(E \leftarrow Source(n))$$

For this to be a probability, we must assure that  $\sum_{n=1}^N \alpha_n = 1$

Such a sum is referred to as a Gaussian Mixture Model. It can be used to represent density functions where the Central Limit theorem does not apply or to approximate functions that have more complex forms. It can also be used to discover a set of subclasses within a global class.

It is sometimes convenient to group the parameters for each source into a single vector:

$$\vec{v}_n = (\alpha_n, \vec{\mu}_n, \Sigma_n)$$

For a feature vector of D dimensions,  $\vec{v}_n$  has  $P = 1 + D + D(D+1)/2$  coefficients.

The complete set of parameters is a vector with  $N \cdot P$  coefficients.

To estimate the parameters  $\{\alpha_n\}$  we need the parameters  $\{\vec{\mu}_n, \Sigma_n\}$

To estimate  $\{\vec{\mu}_n, \Sigma_n\}$  we need  $\{\alpha_n\}$ .

This leads to an iterative two-step process in which we alternately estimate  $\{\vec{\mu}_n, \Sigma_n\}$  and  $\{\alpha_n\}$ . This is performed by an iterative algorithm known as

EM: Expectation Maximisation

The EM algorithm constructs a table,  $h(m, n)$

$$h(m, n) = P\{\text{the event } E_m \text{ is from source } n\}$$

## Expectation Maximisation Algorithm

EM iteratively estimates a model for the density function as a composition of  $N$  unknown sources. Each source is assumed to have a different Normal density.

EM has many uses, including estimating the density functions for a Hidden Markov Model (HMM) as well as for estimating the parameters for a Gaussian Mixture model.

EM operates on an unlabeled training set of  $M$  observations  $\{\vec{X}_m\}$ .

The EM algorithm will iterate between estimating the probability that each observation belongs to each of  $N$  sources, and estimate the mean and covariance for each source.

Each source can be interpreted as a separate class.

Because EM operates on an unlabeled training set it can be used to discover classes by Unsupervised Learning.

The EM algorithms constructs a table,  $h(m, n)$

$$h(m, n) = P\{\text{the event } E_m \text{ is from source } n\}$$

We suppose that each observation,  $m$ , is from one of  $N$  sources:  $h_m = n$   
The sources are unknown (hidden).

$$h_m = n \text{ is equivalent to writing then } h_m(n)=1 \text{ else } h_n(m)=0.$$

However, we will not estimate Boolean values, but probabilities.

$$h_m(n) = h(m,n) = \text{Prob}\{\text{Observation } m \text{ is from Source } n\}$$

### Initialisation:

Choose  $N$  (the number of sources).

set  $i=1$ .

Form an initial estimate for  $\vec{v}^{(1)} = (\alpha_n^1, \vec{\mu}_n^1, \Sigma_n^1)$  for  $n = 1$  to  $N$ .

This can be initialised with  $\alpha_n^1 = \frac{1}{N}$ ,  $\vec{\mu}_n^1 = n\vec{\mu}_0^1$ ,  $\Sigma_n^1 = I$

or with any reasonable first estimation. The closer the initial estimate, the faster the algorithm converges.

**Expectation step (E)**

Calculate the table  $h(m,n)^{(i)}$  using the training data and estimated parameters.

$$h(m,n)^{(i)} = p((h_m = n) | \{X_m\}, \vec{v}^{(i)})$$

$$h(m,n)^{(i)} = \frac{\alpha_n \mathcal{N}(\vec{X}_m, \vec{\mu}_n, \Sigma_n)}{\sum_{j=1}^N \alpha_j \mathcal{N}(\vec{X}_m, \vec{\mu}_j, \Sigma_j)}$$

**Maximization Step (M)**

Estimate the parameters  $\vec{v}^{(i+1)}$  using  $h(m,n)^{(i)}$

M: (Maximisation)

$$S_n^{(i+1)} := \sum_{m=1}^M h(m, n)^{(i)}$$

$$\alpha_n^{(i+1)} := \frac{1}{M} S_n^{(i+1)}$$

$$\mu_n^{(i+1)} := \frac{1}{S_n^{(i+1)}} \sum_{m=1}^M h(m, n)^{(i)} X_m$$

$$\Sigma_n^{(i+1)} := \frac{1}{S_n^{(i+1)}} \sum_{m=1}^M h(m, n)^{(i+1)} (\vec{X} - \vec{\mu}_n^{(i+1)})(\vec{X} - \vec{\mu}_n^{(i+1)})^T$$



**Convergence Criteria**

The Log-likelihood of the parameter vector is

$$Q^{(i)} = \ln\{p(\{\bar{X}_m\} | \vec{v}^{(i)})\} = \sum_{m=1}^M \ln \left\{ \sum_{j=1}^N \alpha_j^{(i)} \mathcal{N}(\bar{X}_m | \mu_j^{(i)}, \Sigma_j^{(i)}) \right\}$$

It can be shown that, for EM, the log likelihood will converge to a stable maximum. The change in Q will monotonically decrease. When

$$\Delta Q = Q^{(i)} - Q^{(i-1)} \text{ is less than a threshold, halt.}$$

## Likelihood

The Likelihood of a parameter vector,  $\vec{v}$ , given a training set,  $\{X_m\}$  is defined as

$$L(\vec{v} | \{X_m\}) = P(\{X_m\} | \vec{v}) = \prod_{m=1}^M P(X_m | \vec{v})$$

For normal density functions,  $P(\vec{X}) = \mathcal{N}(\vec{X}; \vec{\mu}, C) = \frac{1}{(2\pi)^{\frac{D}{2}} \det(C)^{\frac{1}{2}}} e^{-\frac{1}{2}(\vec{X}-\vec{\mu})^T C^{-1}(\vec{X}-\vec{\mu})}$

it is more convenient to work with the Log-Likelihood

$$\mathcal{L}(v) = \text{Log}\{L(\hat{v} | \{X_m\})\} = \text{Log}\{P(\{X_m\} | \hat{v})\} = \sum_{m=1}^M \text{Log}\{P(X_m | \hat{v})\}$$

**MLE for a Univariate Gaussian Density functions**

For  $D=1$ ,  $\mathcal{N}(X; \mu, \sigma)$  the parameter vector is  $\vec{v} = (\mu, \sigma)$

To estimate  $\mu, \sigma$  using MLE, define the log likelihood.

$$\mathcal{L}(\vec{v}) = \text{Log}\{P(X_m | \vec{v})\} = -\frac{1}{2} \text{Log}\{2\pi\sigma^2\} - \frac{1}{2\sigma^2}(X_m - \mu)^2$$

The maximum Log Likelihood occurs when the derivative is zero.

$$\frac{\partial \mathcal{L}(\vec{v})}{\partial \mu} = \sum_{m=1}^M \frac{1}{\sigma^2}(X_m - \mu) = 0$$

$$\frac{\partial \mathcal{L}(\vec{v})}{\partial \sigma^2} = \sum_{m=1}^M \left( -\frac{1}{2\sigma^2} + \frac{(X_m - \mu)^2}{2\sigma^4} \right) = 0$$

We formulate this as the gradient

$$\nabla_{\mu, \sigma} \mathcal{L}(\vec{v}) = \begin{pmatrix} \frac{\partial \mathcal{L}(\vec{v})}{\partial \mu} \\ \frac{\partial \mathcal{L}(\vec{v})}{\partial \sigma^2} \end{pmatrix} = \begin{pmatrix} \sum_{m=1}^M \frac{1}{\sigma^2}(X_m - \mu) \\ \sum_{m=1}^M \left( -\frac{1}{2\sigma^2} + \frac{(X_m - \mu)^2}{2\sigma^4} \right) \end{pmatrix} = 0$$

with a little algebra:

$$\hat{\mu} = \frac{1}{M} \sum_{m=1}^M X_m$$

$$\hat{\sigma}^2 = \frac{1}{M} \sum_{m=1}^M (X_m - \hat{\mu})^2$$

Derivation:

$$\frac{\partial l(\mu)}{\partial \mu} = \sum_{m=1}^M \frac{1}{\sigma^2} (X_m - \hat{\mu}) = 0$$

$$\frac{1}{\sigma^2} \sum_{m=1}^M X_m = \frac{1}{\sigma^2} \sum_{m=1}^M \hat{\mu}$$

$$\sum_{m=1}^M X_m = \sum_{m=1}^M \hat{\mu} = M\hat{\mu}$$

$$\hat{\mu} = \frac{1}{M} \sum_{m=1}^M X_m$$

In the same way

$$\frac{\partial l(\bar{v})}{\partial \sigma^2} = \sum_{m=1}^M \left( -\frac{1}{2\hat{\sigma}^2} + \frac{(X_m - \hat{\mu})^2}{2\hat{\sigma}^4} \right) = 0$$

$$\sum_{m=1}^M \left( -\frac{1}{2\hat{\sigma}^2} + \frac{(X_m - \hat{\mu})^2}{2\hat{\sigma}^4} \right) = 0$$

$$\sum_{m=1}^M \frac{1}{2\hat{\sigma}^2} = \sum_{m=1}^M \frac{(X_m - \hat{\mu})^2}{2\hat{\sigma}^4}$$

$$\frac{1}{2\hat{\sigma}^2} \sum_{m=1}^M 1 = \frac{1}{2\hat{\sigma}^2} \sum_{m=1}^M \frac{(X_m - \hat{\mu})^2}{\hat{\sigma}^2}$$

$$\sum_{m=1}^M 1 = \sum_{m=1}^M \frac{(X_m - \hat{\mu})^2}{\hat{\sigma}^2}$$

$$M = \frac{1}{\hat{\sigma}^2} \sum_{m=1}^M (X_m - \hat{\mu})^2$$

$$\hat{\sigma}^2 = \frac{1}{M} \sum_{m=1}^M (X_m - \hat{\mu})^2$$

**Maximum Likelihood for a Multivariate Density Function**

The principle is the same for  $D > 1$ , however the equations are more complicated.

$$\vec{v} = (\vec{v}_1, \vec{v}_2, \dots, \vec{v}_n) \text{ with each } \vec{v}_n = (\alpha_n, \vec{\mu}_n, C_n)$$

$$\mathcal{L}(\hat{v}) = \text{Log}\{P(\vec{X}_m | \vec{v})\} = -\frac{1}{2} \text{Log}\{(2\pi)^D \det(C)\} - \frac{1}{2} (\vec{X}_m - \mu)^T C^{-1} (\vec{X}_m - \mu)$$

$$\hat{v} = \max_v \left\{ \prod_{m=1}^M P(\vec{X}_m | \vec{v}) \right\} = \max_v \left\{ \sum_{m=1}^M \text{Log}(P(\vec{X}_m | \vec{v})) \right\}$$

The most likely  $\hat{v}$  may be found when the gradient of  $\hat{v}$  is null.

$$\nabla_v \mathcal{L}(\vec{v}) = \nabla_v \sum_{m=1}^M \text{Log}(P(\vec{X}_m | \vec{v})) = 0$$

$$\nabla_v \text{ is the gradient operator: } \nabla_v = \begin{pmatrix} \frac{\partial}{\partial v_1} \\ \frac{\partial}{\partial v_2} \\ \dots \\ \frac{\partial}{\partial v_{NP}} \end{pmatrix}$$

$$\nabla_v \mathcal{L}(\vec{v}) = \begin{pmatrix} \frac{\partial}{\partial v_1} \\ \frac{\partial}{\partial v_2} \\ \dots \\ \frac{\partial}{\partial v_{NP}} \end{pmatrix} \mathcal{L}(\vec{v}) = \begin{pmatrix} \frac{\partial \mathcal{L}(\vec{v})}{\partial v_1} \\ \frac{\partial \mathcal{L}(\vec{v})}{\partial v_2} \\ \dots \\ \frac{\partial \mathcal{L}(\vec{v})}{\partial v_{NP}} \end{pmatrix}$$

Setting  $\nabla_v \mathcal{L}(\vec{v})=0$  gives the classic formulae :

$$\hat{\mu} = \frac{1}{M} \sum_{m=1}^M \vec{X}_m \quad \hat{\Sigma} = \frac{1}{M} \sum_{m=1}^M (\vec{X}_m - \hat{\mu})(\vec{X}_m - \hat{\mu})^T$$